



Features and Benefits

The PowerCat 6 DataGate MOD-Clip exceeds the performance standards of the TIA568-B.2-1 and ISO 11801 Class E Cat 6 specifications, as shown under the electrical characteristics listed below.

PowerCat 6 DataGate MOD-Clip features the Molex Premise Networks patented DataGate. As the patch cord connector is inserted into the jack, the shutter slides toward the back wall of the jack out of sight and out of the way. This allows single-handed insertion of the patch cord connector. Remove the plug and the shutter is back in place, protecting the outlet.

Versatile PowerCat 6 DataGate MOD-Clip jacks easily snap into all types of wall plates. Made of polycarbonate plastic, the jacks are available in eight colours.

- Supports Category 6 component and channel specifications
- Field configurable T568 A/B
- Available in eight colours
- Terminate using 110 or Krone LSA+ tools

Technical Information

Mechanical

Jack Connector

Plastic Housing: Polycarbonate, UL94V-0 rated or equivalent
 Operating Life: Minimum 750 insertion cycles
 Contact Material: Copper alloy
 Contact Plating: 1.25µm gold over 2.5µm nickel
 Contact Force: 100g minimum
 Approvals: UL Listed Connector FCC Part 68 Approved

IDC Connector

Plastic Housing: Polycarbonate, UL94V-0 rated or equivalent
 Operating Life: Minimum 200 Reterminations
 Contact Material: Copper alloy
 IDC Contact Plating: Tin Plate (90% tin/10% lead)
 Wire Accommodation: 2 x 24-22 AWG solid or stranded

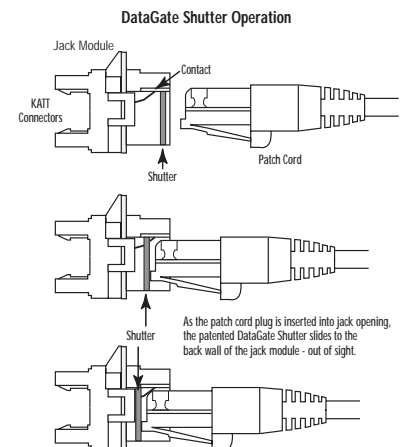
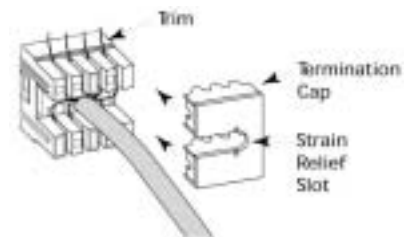
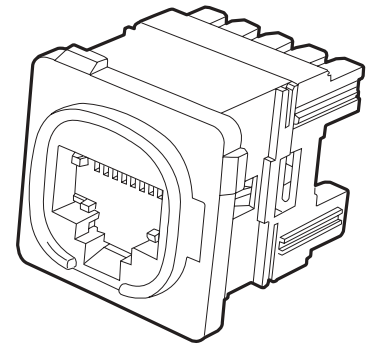
Electrical

DC Resistance: 20 milliohms
 DC Resistance Imbalance: 2.0 milliohms
 Insulation Resistance: >100 Megaohms
 Attenuation @ 100 MHz: 0.2 dB
 @ 250 MHz: 0.32 dB
 NEXT @ 100 MHz: 54 dB
 @250 MHz: 46 dB
 PS NEXT @ 100 MHz: 50 dB
 @ 250 MHz: 42.0 dB
 FEXT @ 100 MHz: 43.1dB
 @ 250 MHz: 35.15 dB
 PS FEXT @ 100 MHz: 40.1 dB
 @ 250 MHz: 32.17 dB
 Return Loss @ 100 MHz: 18.99 dB
 @ 250 MHz: 16.05 dB

Propagation Delay: <2.5 ns (from 1 MHz to 250 MHz)
 Delay Skew: <1.25 ns (from 1 MHz to 250 MHz)

Dimensions 19.91mm x 17.81mm x 24mm

Shipping Weight 26.35g



Order No.	Description
MMC-00007-**	PowerCat 6 DataGate Modclip 8W T568A/B

DataGate Colours - Replace the (**) in the part number with one of the following:

- | | | | |
|------------|------------|-----------------------|-----------------|
| 02 = White | 04 = Black | 05 = Electrical Ivory | 08 = Light Grey |
| RD = Red | BL = Blue | GR = Green | YL = Yellow |

MOLEX PREMISE NETWORKS

Molex Premise Networks
 Corporate Headquarters
 Tel: 603 324 0200
 www.molexpn.com

European Headquarters
 Tel: 44 (0) 1489 572111
 www.molexpn.co.uk

Pacific Rim Headquarters
 Tel: 61 3 9971 7111
 www.molexpn.com.au

Molex Incorporated
 Tel: 630 969 4550
 www.molex.com