



Features and Benefits

The WR12/24/48 is a versatile fibre management enclosure that can be used as a wall mount enclosure for isolated applications or rack mount enclosure for integrated applications.

- 1U panel can be mounted flush or recessed in 19" cabinet / wall rack accommodation with optional rack mount ears.
- WR48 unit is 2U high.
- Wall mountable with either left or right vertical presentation of fibre through adapters.
- Rear, side & base access for Incoming / Outgoing backbone cables
- Management rings within the system to accommodate excess fibre cordage behind the through adapters and maintain fibre bend radius.
- Removable lid also affords protection to the interfacing patch cords. Lid is fixed with screws.
- Built in label facility
- Accommodates single or multimode fibre
- Rugged steel construction in graphite finish
- Product also available pre-loaded with ST®/SC/MT-RJ through adaptors in SM/MM upon application.Approvals (pending) UL 1863, ACA

Technical Specifications

Material Powdercoated Mild Steel

Fibre Termination Options

- Direct Termination
- Fusion Splice
- Mechanical Splice

Dimensions

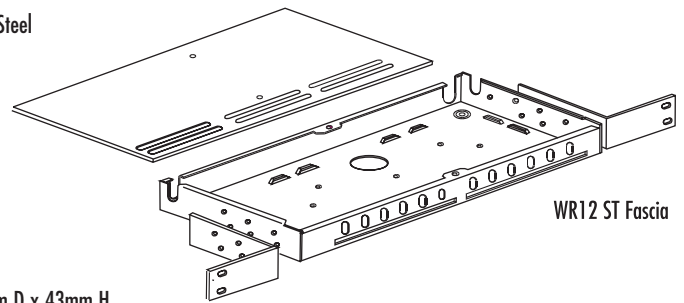
WR12
Wall Mount 305mm W x 254mm D x 43mm H
Rack Mount 482mm W x 254mm D x 43mm H

WR24
Wall Mount 430mm W x 254mm D x 43mm H
Rack Mount 482mm W x 254mm D x 43mm H

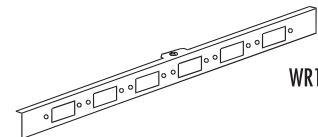
WR48
Wall Mount 430mm W x 254mm D x 86mm H
Rack Mount 482mm W x 254mm D x 86mm H

Shipping Weight

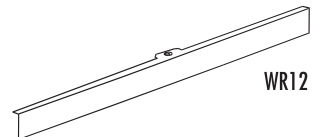
Wall Mount WR12 2.42kg
WR24 3.84kg
WR48 5.20kg



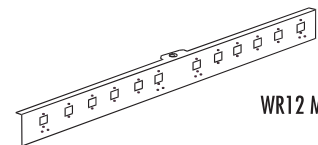
WR12 ST Fascia



WR12 SC Fascia



WR12 Blank Fascia



WR12 MT-RJ Fascia

ORDERING INFORMATION

WR12	WR24	WR48	Description
17.C101G	17.C130G	RFR-00079	ST Aperture - Unloaded
17.C102G	17.C139G	RFR-00078	Duplex SC Aperture - Unloaded
RFR-00176	RFR-00177	RFR-00178	Simplex SC/LC Aperture - Unloaded
RFR-00076	RFR-00077	RFR-00081	MT-RJ Aperture - Unloaded
17.C103G	17.C149G	-	Blank Fascia
17.C104G	17.C148G	RFR-00080	Rack Mount Ears

This information is correct as at the time of publication, specifications are subject to change

Corporate Headquarters
Tel: 630 969 4550
www.molexpn.com

European Headquarters
Tel: 44 (0) 1489 572111
www.molexpn.co.uk

Pacific Rim Headquarters
Tel: 61 3 9971 7111
www.molexpn.com.au